

# 4MP Network LumiLuxSmart Dome Camera (Vari-Focal)

N5D-4LAV



## Key Features

- 4MP Dome Housing
- 2.7 mm to 12 mm Motorized Lens
- LumiLuxSmart — IR and White-Light LEDs
- Video Content Analytics+: Line Crossing, Intrusion, Loitering Detection, Parking Detection
- LumiAnalytics: Face Detection, People Counting, Heat Map, Queue Management, Smart Object Detection
- LumiSearch+
- iMD
- LumiPower
- LumiDesertPro

## Certifications and Compliance

- NDAA Compliant
- FCC
- IC

## Learn More



Learn more about this product's key technologies.



View all compatible accessories for this product.

## Overview

Luminys is lighting the way for flexible low-light solutions with the LumiLuxSmart Mainstream Series, the industry's most extensive dual-functioning camera lineup.

LumiLuxSmart cameras allow users to switch between three low-light functionalities: covert IR-only mode, nighttime white-light LED lighting, and motion-activated IR and LED dual-illumination. The brightness and intensity of the white-light LEDs can be remotely adjusted, preventing unnecessary light pollution.

The LumiLuxSmart series provide unparalleled customization and flexibility to meet the needs of today's evolving security market.

## Key Technologies

**LumiLuxSmart** technology allows cameras to capture clear, full-color video day or night. When motion is detected, LumiLuxSmart cameras switch from IR LEDs to white-light LEDs to illuminate a scene, then switch back to IR mode once motion has ceased to prevent light pollution and energy inefficiency.

**LumiSearch+** technology lets you quickly find, track, and identify targets in security footage using a reference image. The LumiSearch algorithm analyzes human body shape, clothing color, and other characteristics to accurately pinpoint where a target has appeared in footage captured by any LumiSearch-enabled camera and NVR. LumiSearch+ provides enhanced LumiSearch functionality by allowing users search for targets using attribute search, filter out animals using animal search, and create custom intrusion zones to monitor irregular or high-risk areas more precisely.

**LumiAnalytics** is the umbrella for Face Detection, People Counting, Queue Management, Smart Object Detection, and Heat Map. These analytics use detailed metadata and advanced AI algorithms to track important metrics such as people counting and behavior analysis. These insights give businesses highly valuable information to improve and optimize operations.

**LumiPower** technology enables long-distance Power over Ethernet transmission, extending power and data delivery up to 3,000 feet. This simplifies installations in larger or more complex environments by eliminating the need for additional power sources or repeaters. LumiPower ensures consistent connectivity and dependable power management, ideal for expansive security infrastructures.

**LumiDesertPro** technology ensures rugged performance in high temperatures. Depending on the product model, LumiDesertPro allows operation in temperatures 60 °C (140 °F) or higher.

# Specifications

## Camera

Luminys Series	Mainstream
Image Sensor	1/1.8-in. 4MP Progressive CMOS
Maximum Resolution	2688 × 1520
Minimum Illumination	<b>Color:</b> 0.0006 Lux (F1.2) <b>Black/White:</b> 0.0003 Lux at (F1.2) 0 Lux With IR Light On
Number of Illuminators	Four (4) Dual-Core (IR and White Light) LEDs, Supports LumiLuxSmart
Illuminator Control	Automatic, Manual
Maximum Illumination Distance	<b>IR:</b> Up to 30.0 m (98.4 ft) <b>White Light:</b> Up to 30.0 m (98.4 ft)
Electronic Shutter Speed	Automatic, Manual 1/3 s to 1/100,000 s
Installation Angle	<b>Pan:</b> 0° to 355° <b>Tilt:</b> 0° to 80° <b>Rotation:</b> 0° to 355°
S/N Ratio	> 50 dB

## Lens

Iris Type	Automatic
Lens Type	Motorized Vari-Focal
Focal Length	2.7 to 12 mm
Maximum Aperature	F1.2
Field of View	<b>Horizontal:</b> 114° to 48° <b>Vertical:</b> 59° to 27° <b>Diagonal:</b> 143° to 56°
Close Focus Range	0.2 m (0.5 ft)
DORI Distance	<b>Detect:</b> 60.4 m to 128.7 m (198.2 ft to 425.5 ft) <b>Observe:</b> 24.2 m to 51.5m (79.4 ft to 167.0 ft) <b>Recognize:</b> 12.1 m to 25.7 m (39.7 ft to 84.3 ft) <b>Identify:</b> 6.0 m to 12.9 m (19.7 ft to 42.3 ft)

## Video

Compression	H.265, H.264, H.264H, H.264B, MJPEG (Sub Stream Only)
Stream Capability	Three (3) Streams
Resolution	4MP (2688 × 1520), 3.6MP (2560 × 1440), 3MP (2048 × 1536), 3MP (2304 × 1296), 1080p (1920 × 1080), 1.3MP (1280 × 960), 720p (1280 × 720), D1 (704 × 576/704 × 480), VGA (640 × 480), CIF (352 × 288/352 × 240)
Maximum Frame Rate	<b>Main Stream:</b> 2688 × 1520 at 30 fps <b>Sub Stream 1:</b> D1 at 30 fps <b>Sub Stream 2:</b> 1080p at 30 fps
Video Bit Rate	<b>H.265:</b> 12 kbps to 11776kbps <b>H.264:</b> 32 kbps to 16384 kbps
Bit Rate Control	CBR/VBR
Day/Night	Automatic (ICR), Color, Black and White
Light Balancing	Wide Dynamic Range (130 dB)
Noise Reduction	3D NR
Image Rotation	0°/90°/180°/270° (Supports 90°/270° with 2MP Resolution and Lower)
Mirroring	Supported

## Video

Defog	Supported
Region of Interest	Four (4) Zones
Privacy Masking	Four (4) Zones

## Analytics

Video Content Analytics	Line Crossing, Intrusion, Loitering Detection, Parking Detection
Intelligent Motion Detection	Supported with Alarms for Vehicles and Humans
Face Detection	Capture Snapshots and Facial Attributes
Heat Map	Supported
People Counting	Tripwire and In-Area People Counting, Queue Management With Report
LumiSearch+	Supported When Used With LumiSearch+-Enabled NVRs
LumiAnalytics	Face Detection, People Counting, Heat Map, Queue Management, Smart Object Detection
Object Monitoring	Supported

## Audio

Compression	G.711a, G.711Mu, PCM
Interface	<b>Input:</b> Built-in Microphone and 1-Channel RCA Input <b>Output:</b> Built-in Speaker and 1-Channel RCA Output

## Alarm

Event	No SD Card, Disk Full, SD Card Error, Offline, IP Conflict, Illegal Access, Motion Detection, Video Tampering, Line Crossing, Intrusion, Loitering Detection, Parking Detection, Scene Changing, Audio Detection, Voltage Detection, External Alarm, Face Detection, IMD, Security Exception, Area People Counting, Stay Alarm, People Counting, People Number Exception Detection, Object Detection
Interface	<b>Input:</b> One (1) Channel (Max. 5 VDC, 5 mA) <b>Output:</b> One (1) Channel (Max. 12 VDC, 300 mA)

## Network

Protocol	RJ-45 (10/100 Base-T)
Protocol	IPv4, IPv6, HTTP, TCP, RTSP, RTMP, SNMP, FTP, NAS, DHCP, DDNS, QoS, UPnP, NTP, Multicast, NFS, PPPoE, SNMP
Interoperability	ONVIF (Profile S/G/T), API, SDK
Browser	Chrome, Firefox, Edge
Client	LumiViewer, LumiViewer Mobile App



Storage FTP, NAS, Micro SD Card (Max. 512 GB)

## Electrical

Power Supply 12 VDC, PoE (802.3at), LumiPower

Power Consumption

12 VDC

- Maximum: 11.4 W
- Normal: 4.3 W

PoE

- Maximum: 12.6 W
- Normal: 5.2 W

## Construction

Net Weight 0.6 kg (1.2 lb)

Gross Weight 0.7 kg (1.6 lb)

Operating Temperature -30 °C to 60 °C (-22 °F to 140 °F)  
< 95% RH (Non-Condensing)

Storage Temperature -40 to 60 °C (-40 to 140 °F)

Protection Ratings IP67, IK10

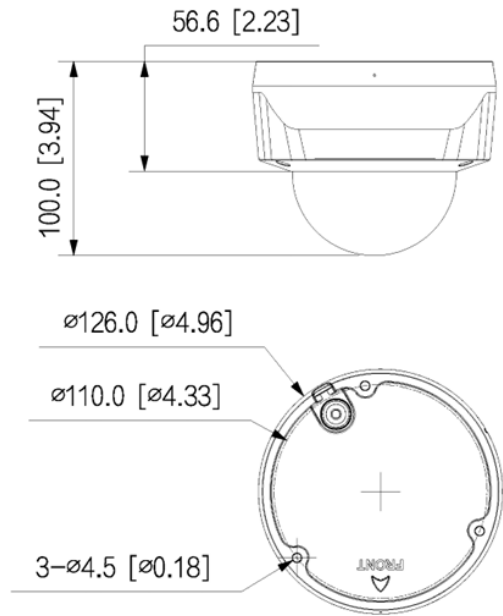
Dimensions 126.0 mm × 100.0 mm (5.0 in. × 3.9 in.)

Material Metal

## Certifications and Compliance

## Dimensional Drawing

mm [in.]



## Compatible Accessories

Below are the compatible accessories for this product. Not all accessories are included with purchase; some must be purchased separately. For each mount type, all listed SKUs are required to ensure proper installation.

Cross-check the accessories in this datasheet with the Luminy's accessory selector tool, and verify that the mount size corresponds to the camera size. Failure to check may result in an incorrect or incomplete mount.

Accessory Combination	SKU(s)	Description
Junction Box	N5D/N5T/N3T-J01 <i>(Must be Purchased Separately)</i>	Junction Box for Select Standard Size Dome and Mini Turret Camera Models
Wall Mount	N5D/N5T/N3T-W01 <i>(Must be Purchased Separately)</i>	Wall Mount Bracket for Select N5D Dome and N5T/N3T Turret Cameras
Horizontal Pole Mount*	N5D/N5T/N3T-W01 <i>(Must be Purchased Separately)</i>	Wall Mount Bracket for Select N5D Dome and N5T/N3T Turret Cameras
	N3/N5-P01 <i>(Must be Purchased Separately)</i>	Pole Mount Bracket for Select N3 and N5 Series Cameras
Vertical Pole Mount*	N5D/N5T/N3T-A01 <i>(Must be Purchased Separately)</i>	Junction Box for Standard Size Turret Camera Models
	N5D/N5T/N3T/N5P-E01 <i>(Must be Purchased Separately)</i>	Ceiling Mount Bracket for Standard Dome, Dome Wedge, and Mini Turret Cameras
	P01 <i>(Must be Purchased Separately)</i>	Pole Mount Bracket for Select N3 and N5 Series Cameras
Pendant Mount*	N5D/N5T/N3T-A01 <i>(Must be Purchased Separately)</i>	Adapter Plate for Select Dome and Turret Cameras
	N5D/N5T/N3T/N5P-E01 <i>(Must be Purchased Separately)</i>	Ceiling Mount Bracket for Standard Dome, Dome Wedge, and Mini Turret Cameras
Corner Mount*	N5D/N5T/N3T-A01 <i>(Must be Purchased Separately)</i>	Adapter Plate for Select Dome and Turret Cameras
	N5D/N5T/N3T/P45/P5-W01 <i>(Must be Purchased Separately)</i>	Wall Mount Bracket for Select N5D, N5T, N3T, P45, P54, and P55 Cameras
	C01 <i>(Must be Purchased Separately)</i>	Corner Mount Bracket for N3, N5, N9, P4, P5 Series Cameras
In-Ceiling Mount	N5D-M01 <i>(Must be Purchased Separately)</i>	In-Ceiling Mount Bracket for Select Dome Camera Models

\*All SKUs listed must be used to complete the mounting combination. Verify the compatibility of the listed mounting components prior to ordering. Failure to use all SKUs listed and ensure compatibility may result in an incorrect or incomplete mount.

## Replacement Components

Below are the replacement components available for this product. Not all product components are available for replacement. Replacement component must be purchased separately. Cross-check the components in this datasheet with the Luminy's accessory selector tool, and verify that the component size corresponds to the camera size. Failure to check may result in the purchase of an incorrect or incompatible component.

SKU	Description
N5D-B01 <i>(Must be Purchased Separately)</i>	Smoked Polycarbonate Replacement Bubble (3.4 inch) for Select Dome Cameras